

SERIES Z12ADDC PWM SERVO AMPLIFIERS

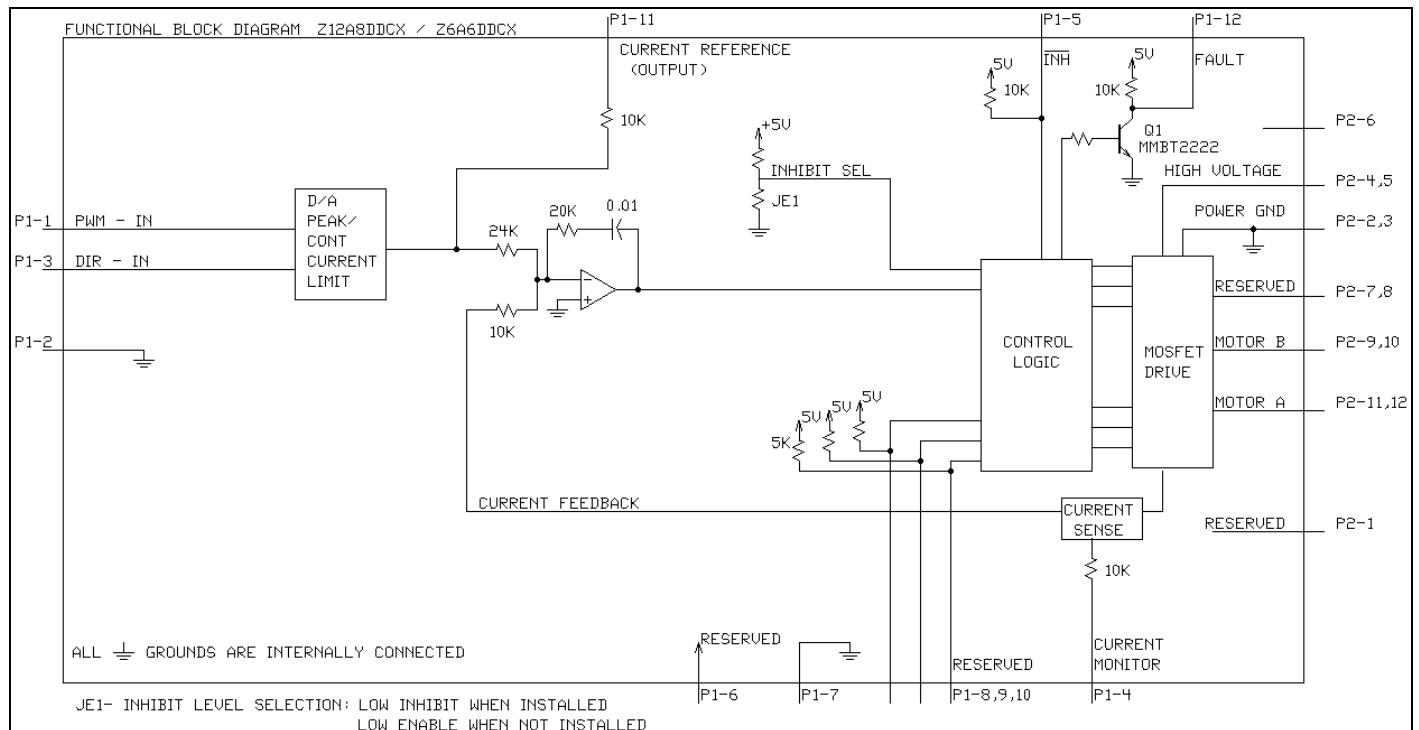
Models: Z6A6DDC, Z12A8DDC
Micro Series

FEATURES:

- Micro size, low cost, ease of use
- PWM input commands
- For brushed motors
- Torque Mode
- Closed current loop
- No pots or switches
- Surface-mount technology
- Four quadrant regenerative operation
- Agency approvals: Pending



BLOCK DIAGRAM:



DESCRIPTION: The Z12ADDC Series PWM servo amplifiers are designed to drive brush-type DC motors at a high switching frequency. They are fully protected against over-voltage, over-current, over-heating and short-circuit. A single digital output indicates operating status. All models interface with digital controllers that have digital PWM output. The PWM IN duty cycle determines the output current and DIR input determines the direction of rotation. These servo amplifiers require only a single unregulated isolated DC power supply.

SPECIFICATIONS:

POWER STAGE SPECIFICATIONS	MODELS	
	Z6A6DDC	Z12A8DDC
DC SUPPLY VOLTAGE	16 – 60 VDC	16 – 80 VDC
PEAK CURRENT (2 sec. max., internally limited)	± 6 A	± 12 A
MAX. CONTINUOUS CURRENT (internally limited)	± 3 A	± 6 A
MINIMUM LOAD INDUCTANCE *	100 µH	100 µH
SWITCHING FREQUENCY	50 kHz ± 15%	33 kHz ± 15%
HEATSINK (BASE) TEMPERATURE RANGE **	0° to +75° C, disables if > 75° C	
POWER DISSIPATION AT CONTINUOUS CURRENT	10 W	24 W
OVER-VOLTAGE SHUT-DOWN (self reset)	67 V	88 V
BANDWIDTH (load dependent)	5 kHz	

MECHANICAL SPECIFICATIONS	
MOTOR POWER CONNECTOR	12-pin, 0.1 inch spacing, vertical Molex connector
SIGNAL CONNECTORS	12-pin, 0.1 inch spacing, vertical Molex connector
SIZE (thickness does not include length of pins)	2.5 x 2.0 x .71 inches 63.5 x 50.8 x 18.0 mm
WEIGHT	3.1 oz 87.9 g

* Low inductance motors require external inductors.

** Additional cooling may be necessary when bus voltage exceeds 55VDC. Example: Temperature rise can be limited to less than 15°C at continuous current with 110 CFM airflow across the baseplate under the condition 25°C ambient and 80VDC bus. Much lower temperature rise can be achieved at lower bus voltages.

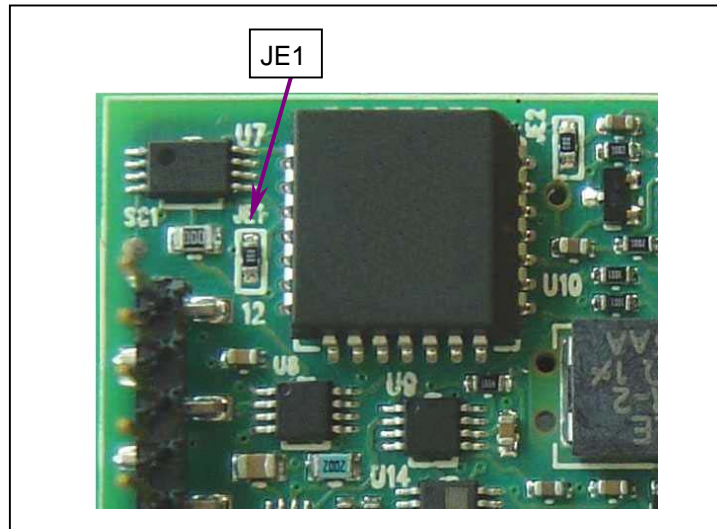
PIN FUNCTIONS:

CONNECTOR	PIN	NAME	DESCRIPTION / NOTES	I/O
P1	1	PWM IN	10 – 25 kHz pulse width modulated digital input command (+5V). Input duty cycle commands the output current.	I
	2	SIGNAL GROUND	Reference ground	GND
	3	DIR	Direction input	I
	4	CURRENT MONITOR OUT	Output voltage proportional to motor output current: Z6A6DDC: 1V = 2A; Z12A8DDC: 1V = 4A	O
	5	INHIBIT IN	This TTL level input signal turns off all power devices of the "H" bridge when pulled to ground (when JE1 is installed), which is a fault condition. If the JE1 jumper is removed, pulling this pin to ground will enable the outputs.	I
	6	RESERVED	Reserved	
	7	SIGNAL GROUND	Reference ground	GND
	8	RESERVED	Reserved	
	9	RESERVED		
	10	RESERVED		
	11	CURRENT REF OUT	Monitors the input signal connected directly to the internal current amplifier. 7.25V = max. peak current.	O
	12	FAULT OUT	TTL level output. Becomes high during output short circuit, over-voltage, over temperature and power-up reset.	O
P2	1	RESERVED	Reserved	
	2	POWER GROUND	Power ground (current rating per pin = 3A)	GND
	3			
	4	HIGH VOLTAGE	DC Power Input (current rating per pin = 3A)	I
	5			
	6	NC	(no connection; pin removed)	
	7	NC	(no connection)	
	8			
	9	MOTOR B	Motor phase B connection (current rating per pin = 3A)	O
	10			
	11	MOTOR A	Motor phase A connection (current rating per pin = 3A)	O
	12			

JUMPER SETTINGS:

Pin P1-5 can be used to enable or disable the power output to the motor. The default logic level to disable this amplifier is a LOW signal at P1-5. With the jumper JE1 removed, the amplifier will be disabled until a LOW signal is applied to P1-5.

Please note that JE1 is a very small SMT jumper. Only qualified technicians are recommended to perform this modification. The product warranty will be affected by poor quality modifications.



	INSTALLED	NOT INSTALLED
JE1: INHIBIT LEVEL (P1-5)	LOW to Inhibit	LOW to Enable

MOUNTING CARD:

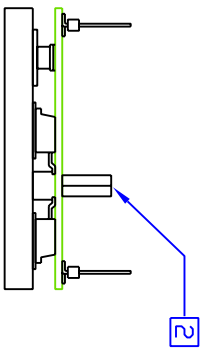
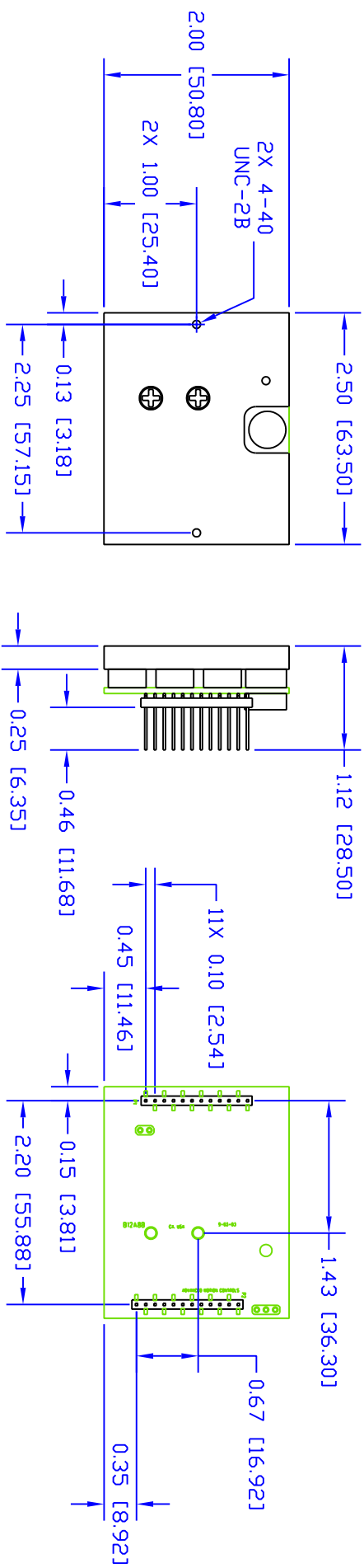
With its vertical pin connections, the Z12ADDC can be mounted directly to a PC board. However, we also supply the following optional mounting card for easy interface between components without having to design your own PCB. Please refer to the datasheet for more information.

MC2XZQD – Z series amplifiers interface board for up to 2 axes. All connectors are quick-disconnect for easy prototyping. PCB width is 72mm for compatible standard DIN mounting trays.

ORDERING INFORMATION:

Models: Z6A6DDCX, Z12A8DDCX

The X indicates current revision letter.



2. OPT. NYLON STANDOFF FOR RETENTION.
 (p/n Amatom 8105-N-0440 or equiv.)

1. DIMENSIONS IN [] ARE IN MM.

NOTES: UNLESS OTHERWISE SPECIFIED.

REV	B	REMOVED DIM 0.16 [3.96]	DATE	02/04/04	BY	PM	ECD
UNLESS OTHERWISE SPECIFIED: DIMENSIONS ARE IN INCHES TOLERANCES .XX ± .010 XXX ± .005 DO NOT SCALE DRAWING							
DRAWN BY:		P. MEAD		DATE:		10/15/03	
CHECK BY:				DATE:			
DESIGN APPROVED:				DATE:			
USED ON							
TITLE				MOUNTING DIMENSIONS, Z SERIES			
ADVANCED MOTION CONTROLS • PWM SERVO AMPLIFIERS • 3805 Calle Tecate, Camarillo, CA 93012							
SIZE	DWG. NO.	SCALE: FULL		REV			
B	MDZ			B			
SHT. 1 OF							