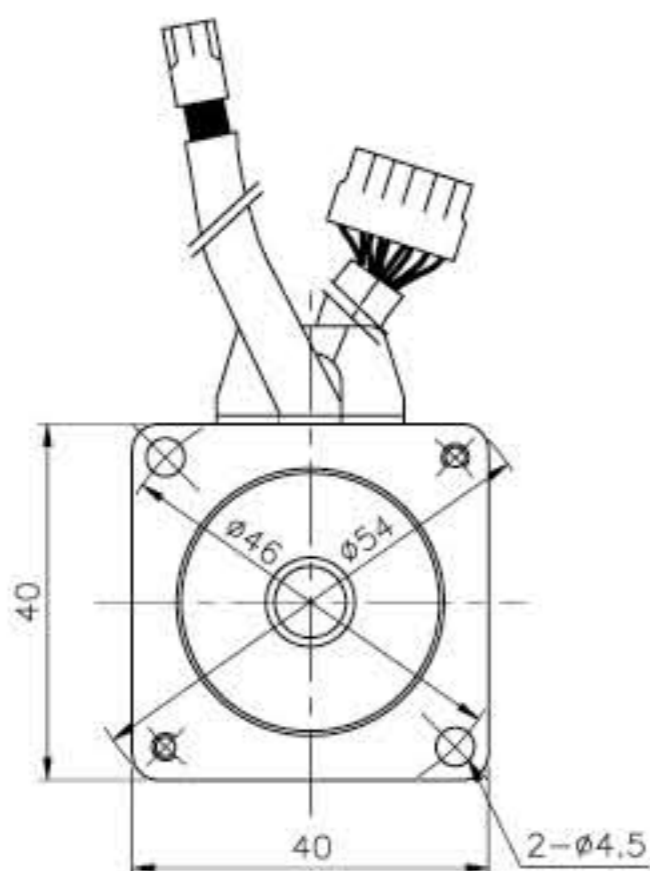


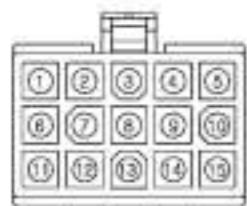
Standard Type **APM-SAR3A, APM-SAR5A, APM-SA01A**



Plug :172167-1  
(Made by AMP)

Pin No	Color	Phase
1	Red	U
2	White	V
3	Black	W
4	Green	Ground

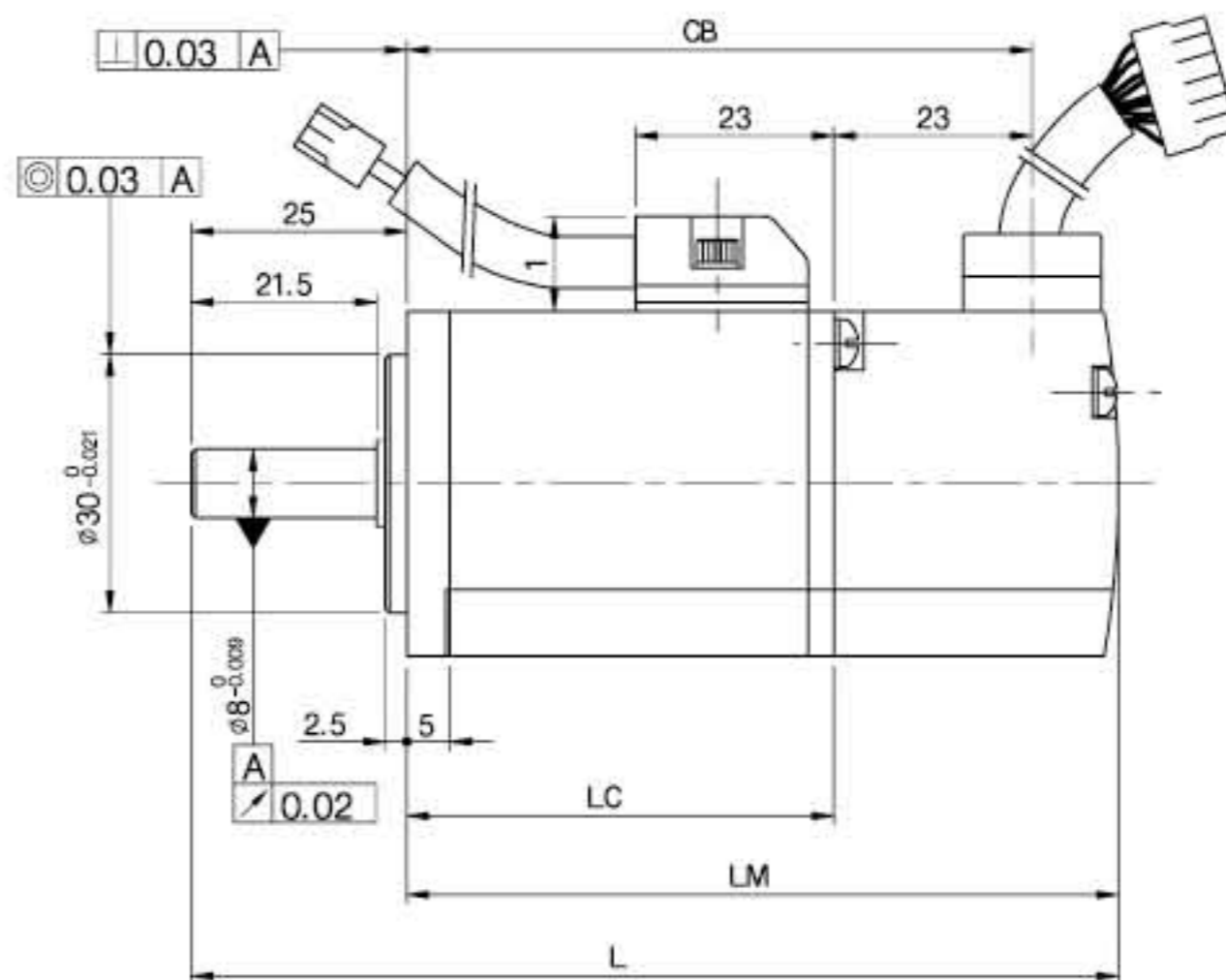
<Connector Pin for Power Supply>



Plug :172171-1  
(Made by AMP)

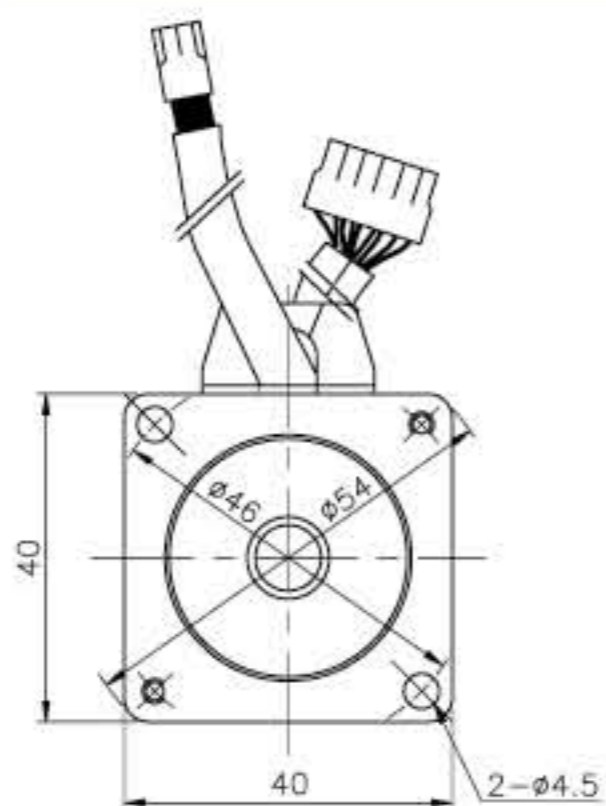
Pin No	Phase	Pin No	Phase
1	A	9	V
2	X	10	V
3	B	11	W
4	B	12	W
5	Z	13	DC +5V
6	Z	14	0V
7	U	15	SHIELD
8	U		

<Encoder Connector Pin>



Model	External Dimension				Weight (kg)
	L	LM	LC	CB	
SAR3A	100.5	77.5	42.5	65.5	0.3
SAR5A	107.5	82.5	49.5	72.5	0.4
SA01A	124.5	99.5	66.5	89.5	0.52

Brake-attached Type **APM-SAR3A, APM-SAR5A, APM-SAR01A**



Plug :172165-1  
(Made by AMP)

Pin No	Color	Phase
1	Red	+
2	White	-

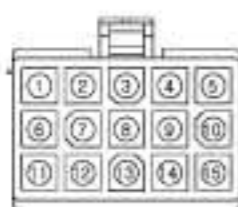
<Brake Connector Pin>



Plug :172167-1  
(Made by AMP)

Pin No	Color	Phase
1	Red	U
2	White	V
3	Black	W
4	Green	Ground

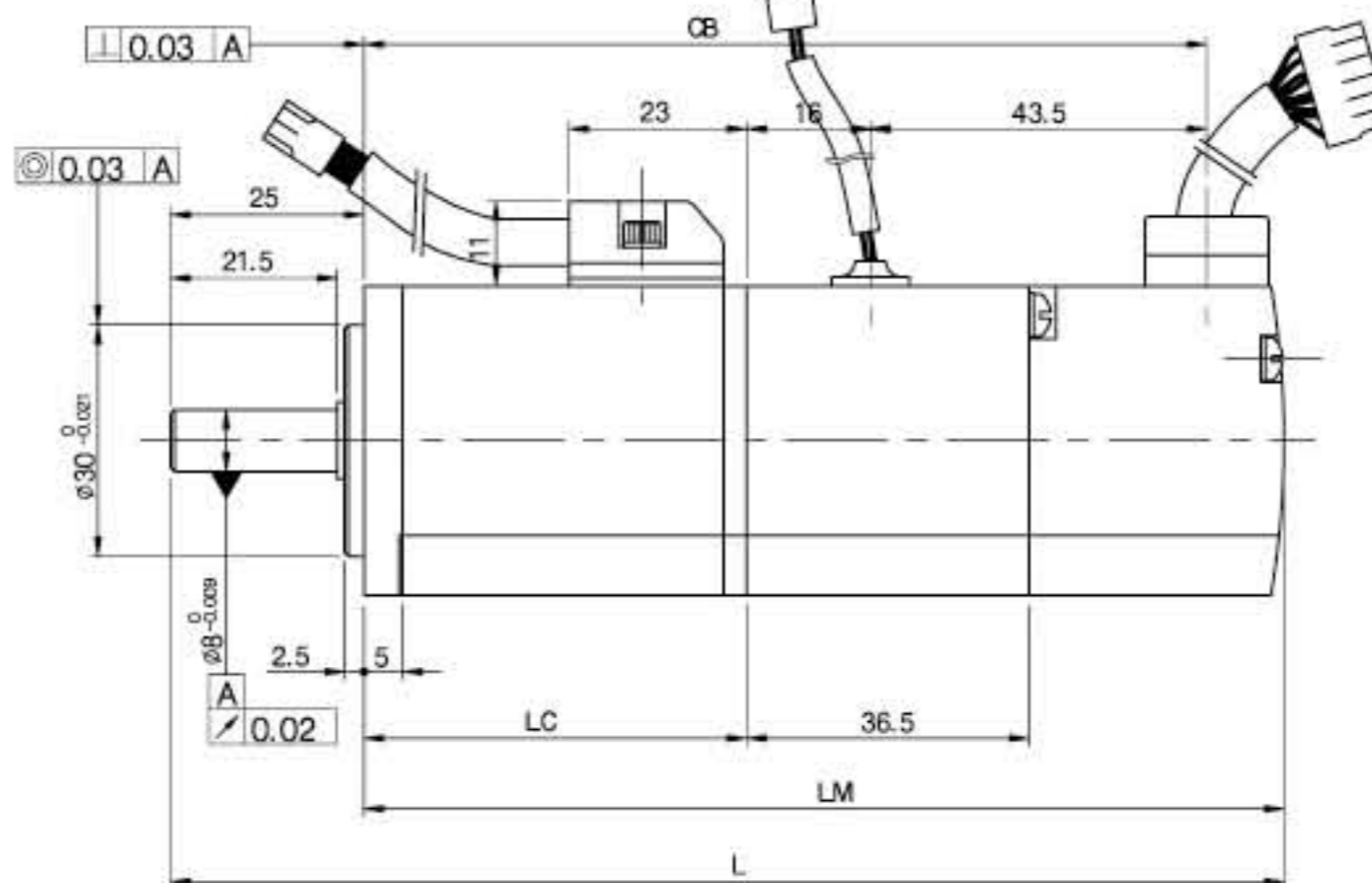
<Connector Pin for Power Supply>



Plug :172171-1  
(Made by AMP)

Pin No	Phase	Pin No	Phase
1	A	9	V
2	X	10	V
3	B	11	W
4	B	12	W
5	Z	13	DC +5V
6	Z	14	0V
7	U	15	SHIELD
8	U		

<Encoder Connector Pin>



Model	External Dimension				Weight (kg)
	L	LM	LC	CB	
SAR3A	137	112	42.5	102	0.65
SAR5A	144	119	49.5	109	0.75
SA01A	161	136	66.5	126	0.87



Note1) Use DC 24V for brake input power supply.