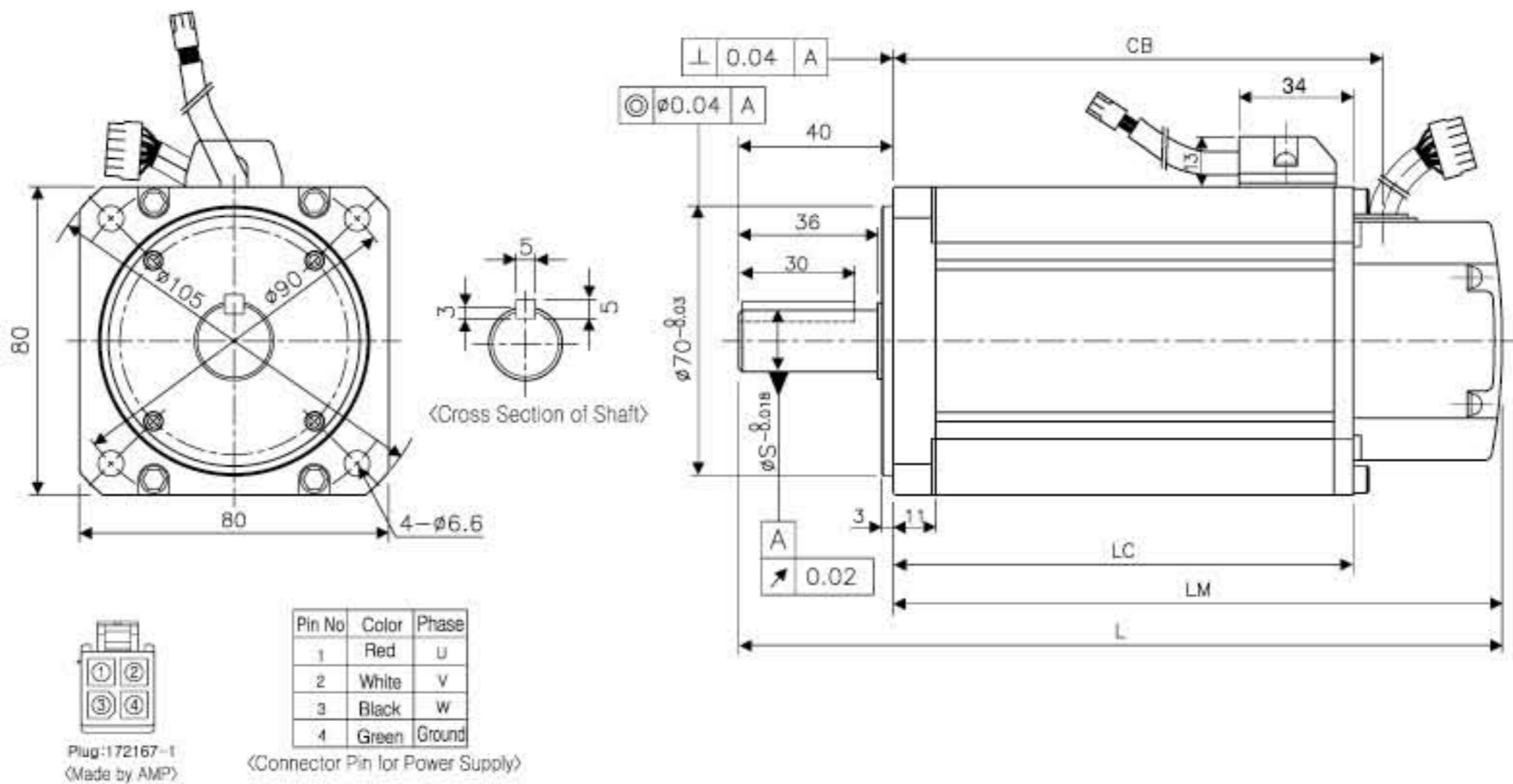


Standard Type

APM-SC04A, SC03D, APM-SC06A, APM-SC05D
 APM-SC08A, SC06D, APM-SC10A, APM-SC07D



Pin No.	Phase	Pin No.	Phase
1	A	9	V
2	X	10	V
3	B	11	W
4	B	12	W
5	Z	13	DC +5V
6	Z	14	0V
7	U	15	SHIELD
8	U		

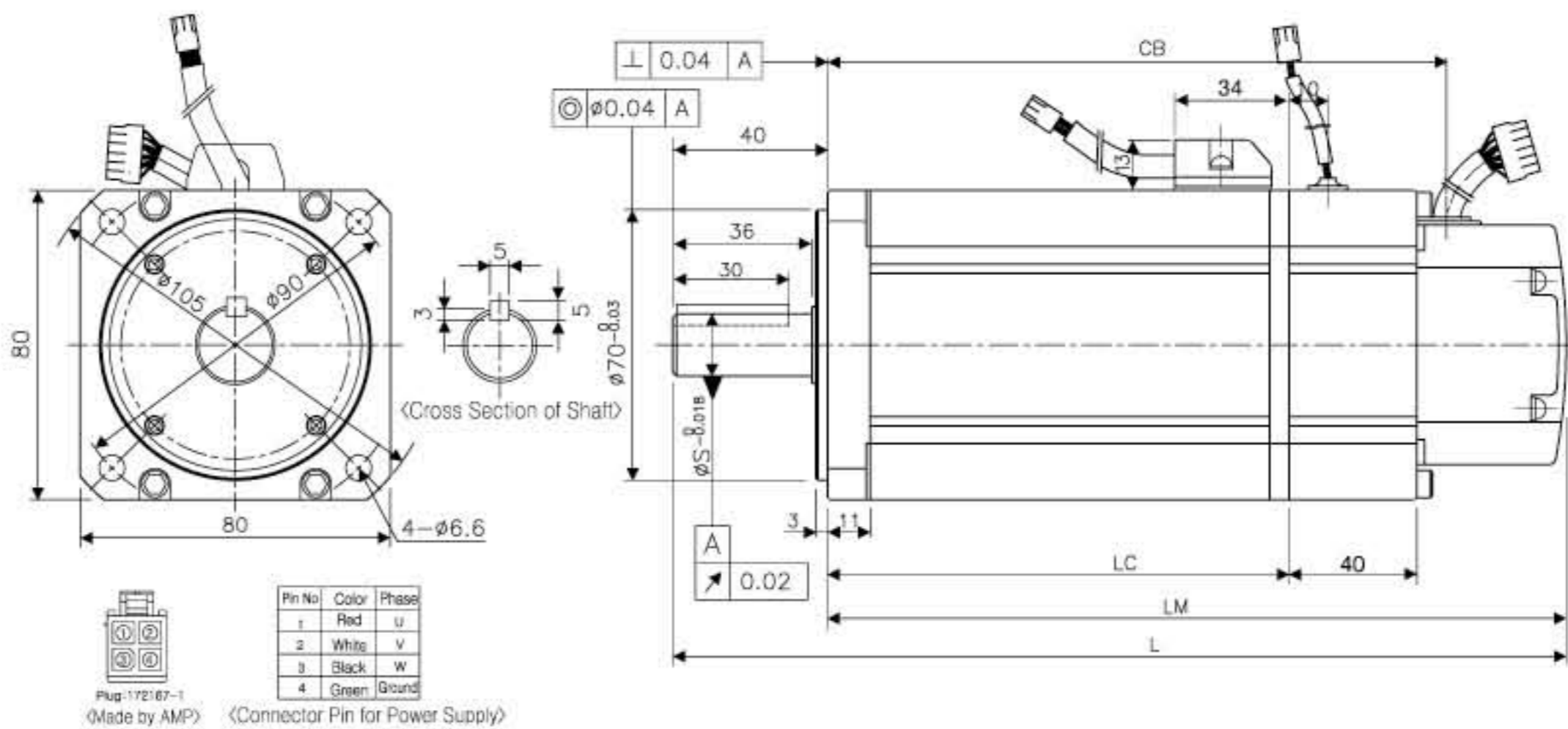
<Encoder Connector Pin>

Model	External Dimension					Weight (kg)
	L	LM	LC	CB	S	
SC04A, SC03D	158	118	79	86.5	14	1.85
SC06A, SC05D	178	138	99	106.5	16	2.49
SC08A, SC06D	198	158	119	126.5	16	3.15
SC10A, SC07D	218	178	139	146.5	16	3.80

⚠ Note1) Use DC 24V for brake input power supply.
 Note2) In case that Abs.2048 P/R Encoder is attached, it becomes longer by 10mm.

Brake-attached Type

APM-SC04A, SC03D, APM-SC06A, APM-SC05D
 APM-SC08A, SC06D, APM-SC10A, APM-SC07D



Pin No.	Color	Phase
1	Red	U
2	White	V
3	Black	W
4	Green	Ground

<Connector Pin for Power Supply>



Pin No.	Color	Phase
1	Red	+
2	White	-

<Brake Connector Pin>



Pin No.	Phase	Pin No.	Phase
1	A	9	V
2	X	10	V
3	B	11	W
4	B	12	W
5	Z	13	DC +5V
6	Z	14	0V
7	U	15	SHIELD
8	U		

<Encoder Connector Pin>

Model	External Dimension					Weight (kg)
	L	LM	LC	CB	S	
SC04A, SC03D	198	158	79	127	14	2.45
SC06A, SC05D	218	178	99	147	16	3.09
SC08A, SC06D	238	198	119	167	16	3.75
SC10A, SC07D	258	218	139	187	16	4.40

⚠ Note1) Use DC 24V for brake input power supply.
 Note2) In case that Abs.2048 P/R Encoder is attached, it becomes longer by 10mm.